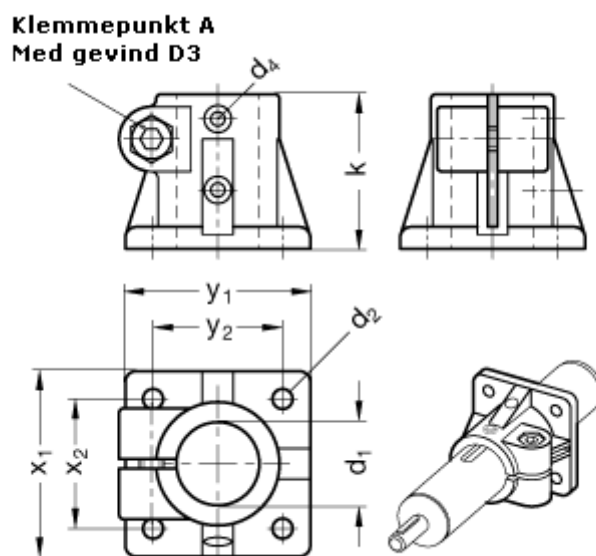


Article number: 201631B302SW

Description: E+G Flanged linear actuator  
GN163.1-B30-2-SW

## Measures



d1 = B30	y2 = 42
d2 = 6,5	
d3 = M 8	
d4 = M 4	
k = 50	
x1 = 60	
x2 = 42	
y1 = 60	